



Seawall Anchors & Marine Applications



Fast Installation

Low Impact

No Excavation or Spoils

Cost-effective

No Vibration

Immediate Loading

More Bearing Area

Instant Capacity

Helical Anchors

CHANCE® helical anchors are utilized for new seawall construction, retrofit of failing seawalls, bulkheads, bulkhead repair, docks, boardwalks and mooring anchors. CHANCE® helical anchors are proven to be the best system available in providing tiebacks for seawall and bulkhead construction applications, and are engineered to meet your specific project needs.

Helical tiebacks are superior to conventional dead men because they can be installed quickly and tensioned immediately for speedy construction. Helical anchors are classified as soil anchors and loads are developed based upon the capacity of the soil behind the wall. Holding capacity is proportional to installation torque. CHANCE® helical anchors are engineered to provide versatility in application in order to conform to specific project soil conditions. Length and bearing area can be adjusted in the field to meet the specified load requirements for the project. Our professional engineers and field experts stand ready to assist you as needed from design to completion.

The Strongest name in Helical Foundations

Since 1912, CHANCE® has been the leader in the manufacturing of helical products. When it comes to innovation, production and quality manufacturing, CHANCE® shines as the largest producer of helical products in the world. CHANCE® possesses the capability, assets and knowledge of what one would expect from a world class supplier. Operating as a subsidiary of Hubbell Corporation, CHANCE® and its broad network of local Civil Construction distribution partners combine quality engineering and expertise with vast construction knowledge. Our significant localized inventory enables us to service your needs quickly when and where you need it. Our experts are on call to assist you with the proper installation techniques and the quality engineering support that you can depend on. Our partnerships have allowed us to become and remain the leading name offering the best helical foundation products anywhere. Our team understands construction, and what it takes to get the job done!



**Foundation
Technologies, Inc.®**

PO Box 491718 Lawrenceville, GA 30049 | TEL 800.773.2368 | FAX 678.407.4645 | foundationtechnologies.com

© copyright 2009 All Rights Reserved



Composite Sheet Pile



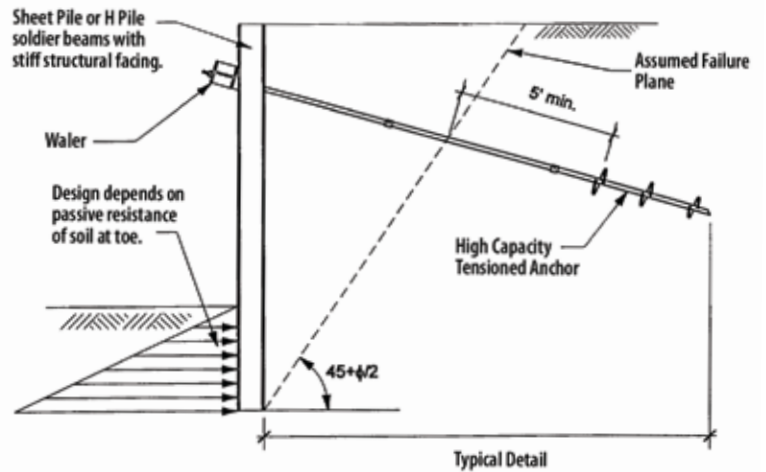
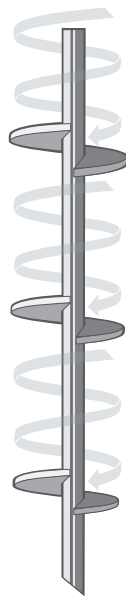
Steel Sheet Pile



Boardwalks



Boat Docks



General Advantages

- Cost effective
- Can be installed from land side or water side
- Cuts labor and equipment costs
- No excavation or spoils
- No waiting on concrete to cure
- Installs in any weather
- Installs in limited access
- No dewatering
- Easy to store
- Removable & extendable
- Site specific to conditions and loads
- Variable terminations
- Loads in bearing and not in friction
- Immediate proof testing and loading
- Can be used in both permanent and temporary applications
- Capacity proportional to installing torque
- No casing required

CHANCE® Helical Advantage vs. Conventional Dead Man Installations

- Can be installed underneath structures
- Can work from the water
- Low Impact
- Instant capacity
- Quick to install
- Can install below the water table
- Site clean up made easy
- No impact on Landscaping
- Improved project appearance

CHANCE® Helical Advantage vs. Other Anchoring Systems

- Removable if an obstruction is encountered
- Continuous driving without a driving mechanism
- Torque monitoring provides quality control during installation
- Fast installation
- No vibration
- More surface bearing area
- Installed, tensioned and tested with readily available equipment

Foundation Technologies, Inc.®

800.773.2368
 foundationtechnologies.com

